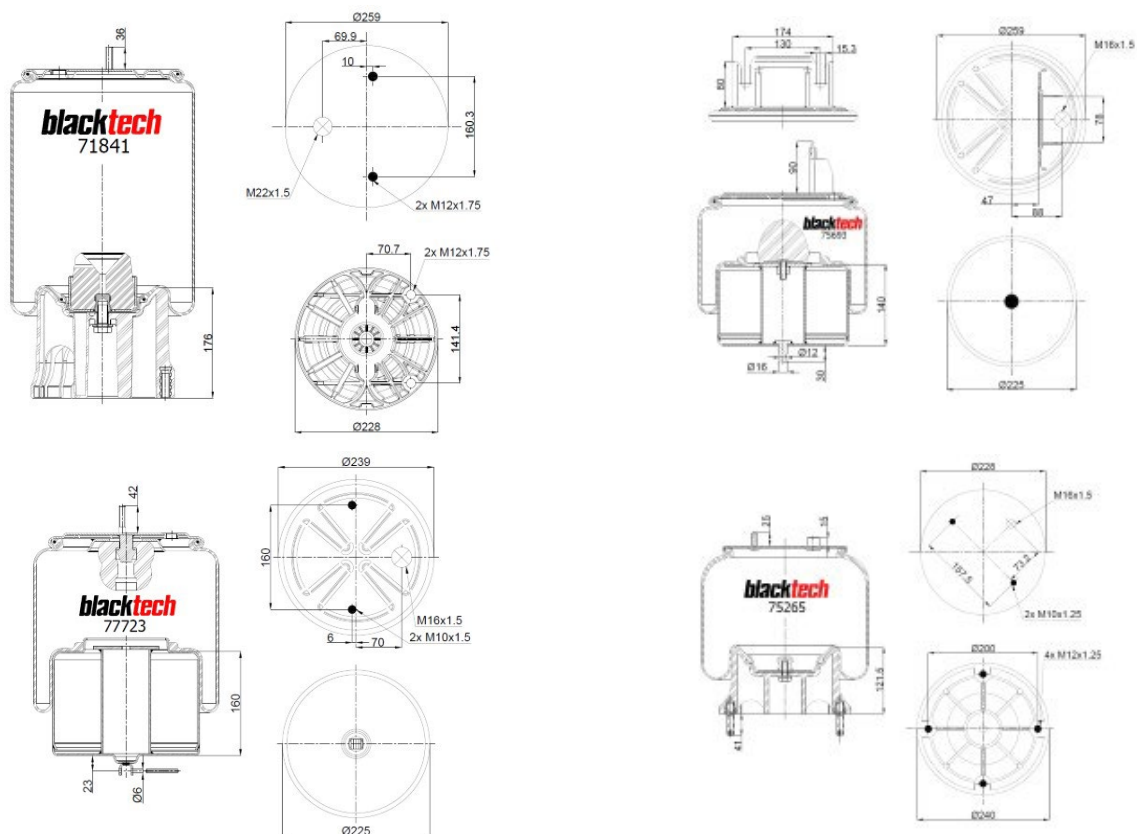
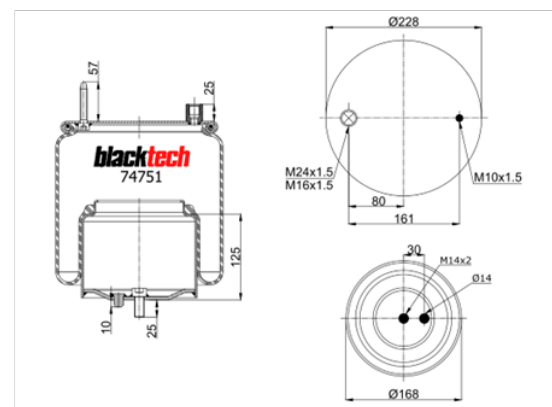
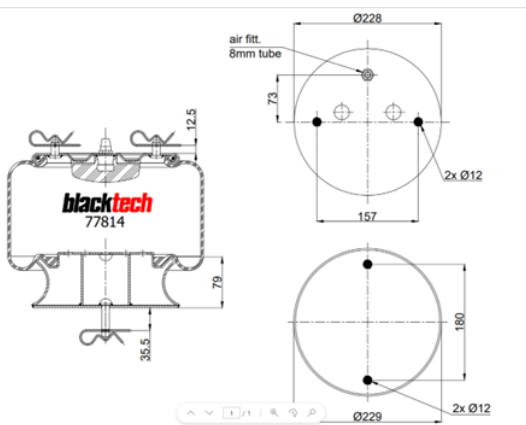
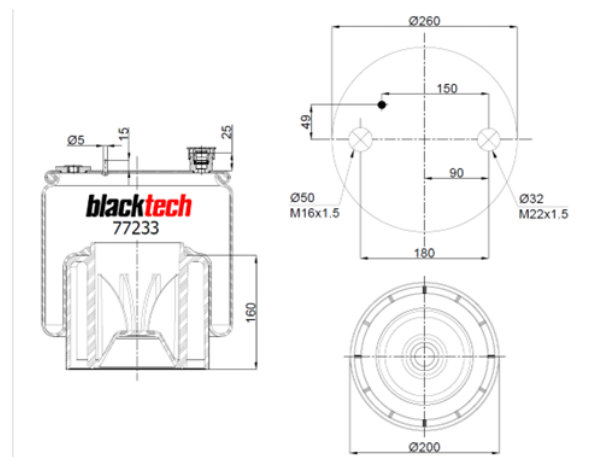
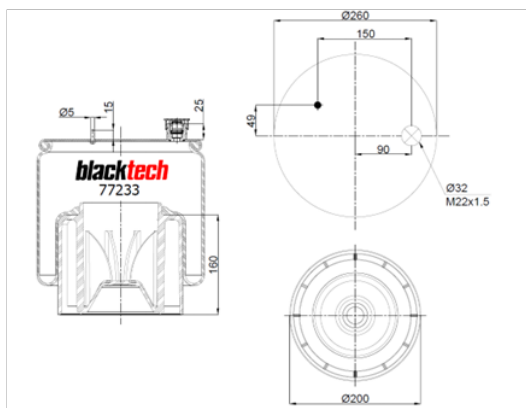


New Parts for Strong Quality

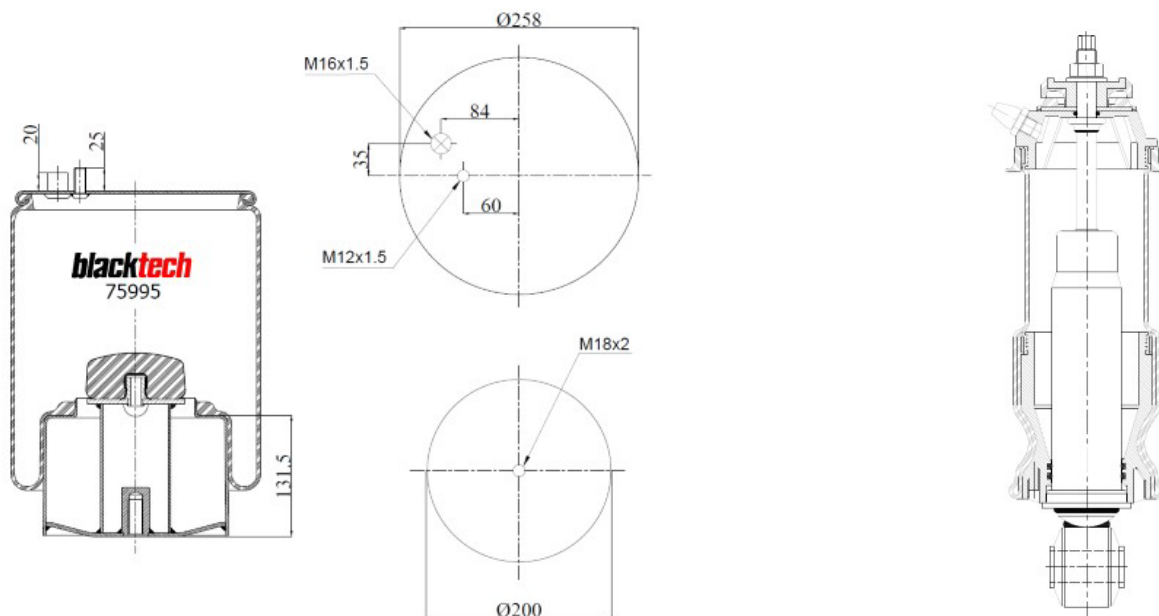
| blacktech Number | OEM Part Number | Cross References | Application |
|------------------|---------------------------|----------------------|-------------|
| RML 71841 CP | Schmitz Cargobull 1111841 | Prime-Ride 1R12-899 | Trailer |
| RML 75693 C | Volvo 21 451 174 | Contitech 4582 N P01 | Truck |
| RML 77723 C | Volvo 20 452 142 | Contitech 6612 N P01 | Truck |
| RML 75265 CP5 | Renault 5.010.488.071 | Contitech 4154 N P05 | Truck |



| blacktech Number | OEM Part Number | Cross References | Application |
|------------------|------------------------|----------------------|-------------|
| RML 77233 CP1 | Mercedes 961 320 36 21 | Contitech 6122 N P50 | Truck |
| RML 77233 CP2 | Mercedes 961 320 37 21 | Contitech 6122 N P51 | Truck |
| RML 77814 C | Scania 1386198 | Contitech 6703 N P01 | Truck |
| RML 74751 C | Volvo 21 224 751 | V1 DF 16 C-5 | Truck |



| blacktech Number | OEM Part Number | Cross References | Application |
|------------------|-------------------|-----------------------|-------------|
| RML 75995 C9 | MAN 85.43600.6002 | Contitech 4884 N1 P09 | Truck |
| 110 118 CA | Volvo 20453256 | Monroe CB0055 | Cabin |



The above mentioned blacktech reference is available in the Independent Aftermarket: Our broad product portfolio offers more than 1,200 blacktech Air Springs to choose from, covering more than 80 % of all major vehicle applications. **blacktech Air Springs – Designed Strong and Durable.**