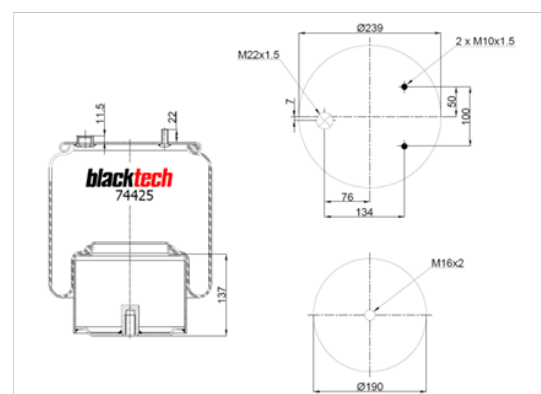
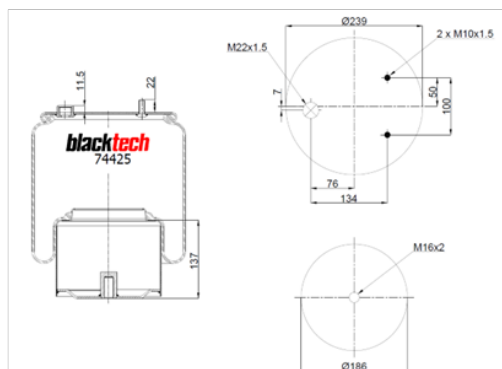
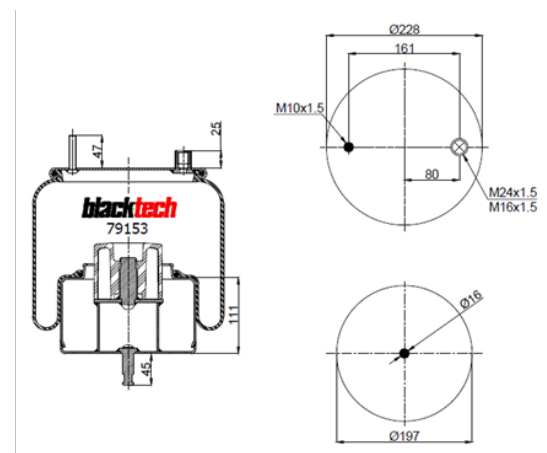
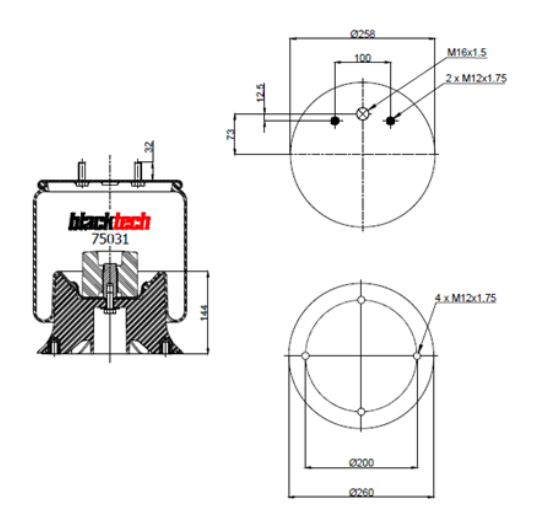


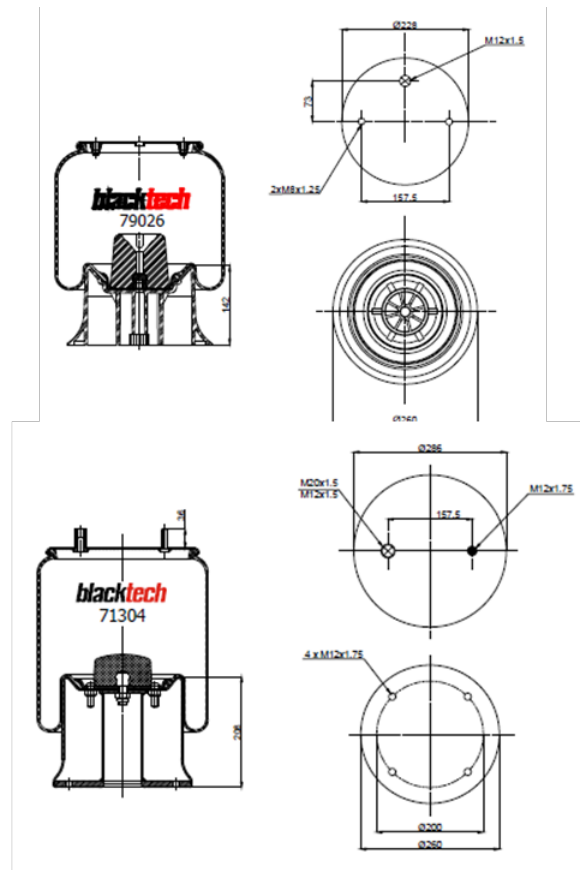
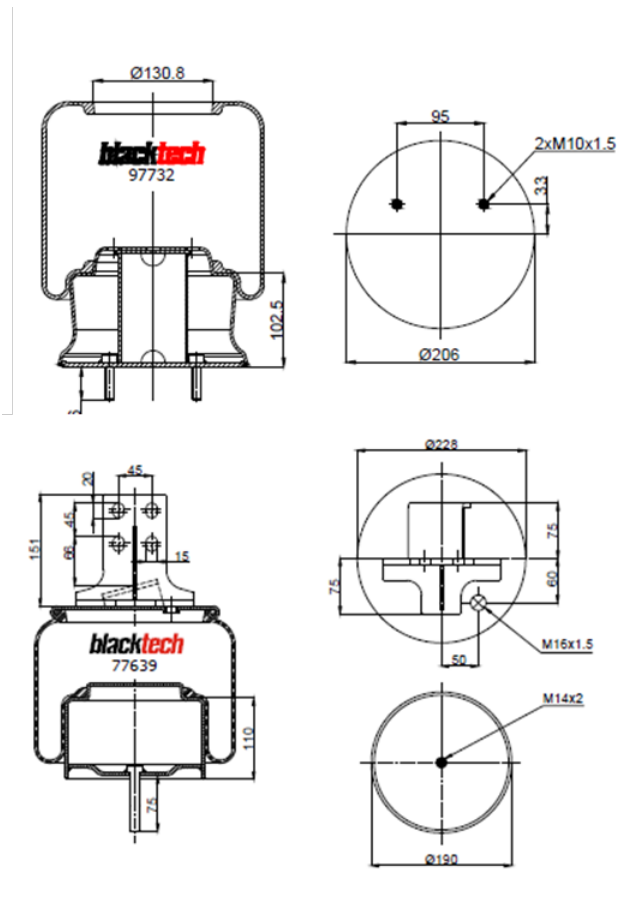
## New Parts for Strong Quality

blacktech Number	OEM Part Number	Cross References	Application
RML 75031 CP	Renault 5.010.600.172	V1 DK 21d-1	Truck
RML 79153 C1	Renault 21 321 521	V1 DF 20u-1	Truck
RML 74425 C	DAF 1 794 425	V1 DF 19v-1	Truck
RML 74425 C1	DAF 1 794 428	V1 DF 19v-2	Truck

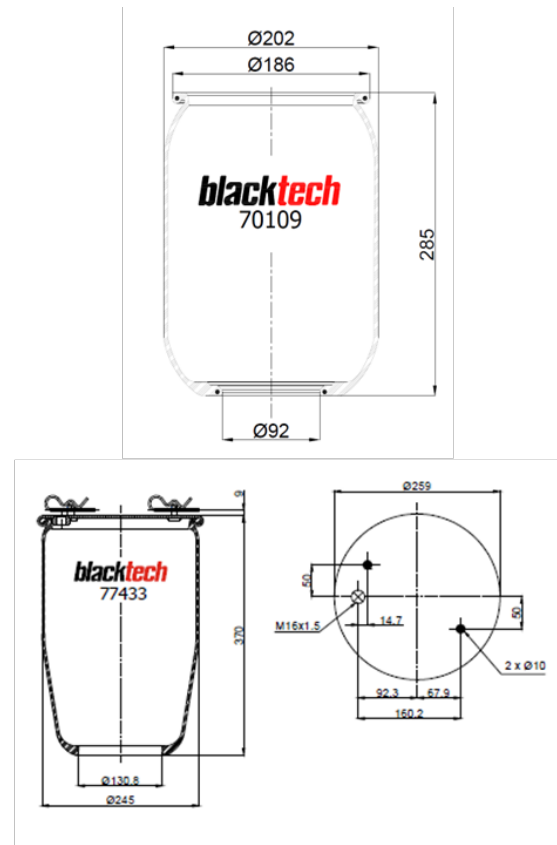
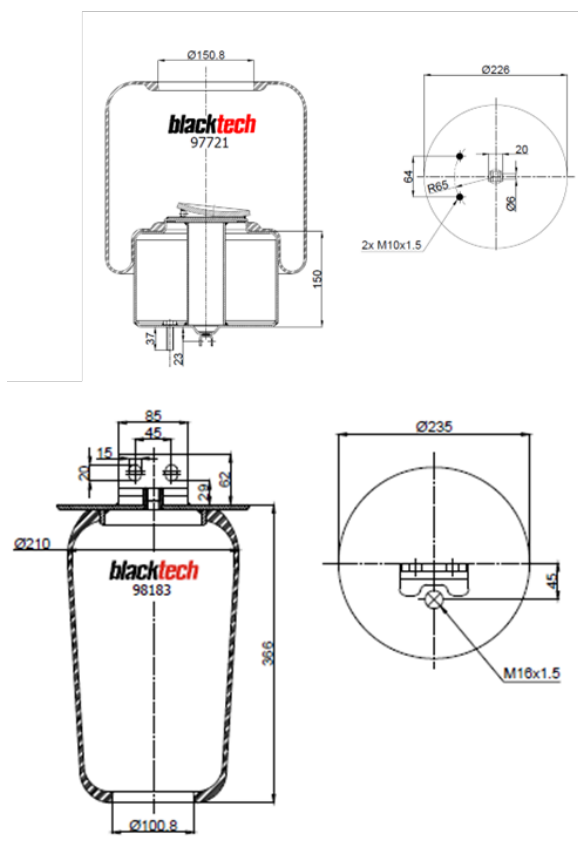




blacktech Number	OEM Part Number	Cross References	Application
RML 97732 C2	Volvo 20 725 459	V1 E 18b-1	Bus
RML 79026 CP1	Viberti 128147129	V1 DK 22u-1	Tailer
RML 71304 C1	Acerbi / Viberti 800448024	W01 M58 8762	Trailer
RML 77639 C1	Iveco 41289366	V1 DF 16e-27045-1	Truck



blacktech Number	OEM Part Number	Cross References	Application
97721 C	Volvo 20 573 305	Contitech 6610 N P01	Bus
RML 70109 S	Iveco 4680913	822 N	Bus
RML 98183	Iveco 98488605	1E21d-2107	Bus
RML 77433	Volvo 20 703 452	1R12-826	Truck



The above mentioned blacktech reference is available in the Independent Aftermarket: Our broad product portfolio offers more than 1,200 blacktech Air Springs to choose from, covering more than 80 % of all major vehicle applications. **blacktech Air Springs – Designed Strong and Durable.**