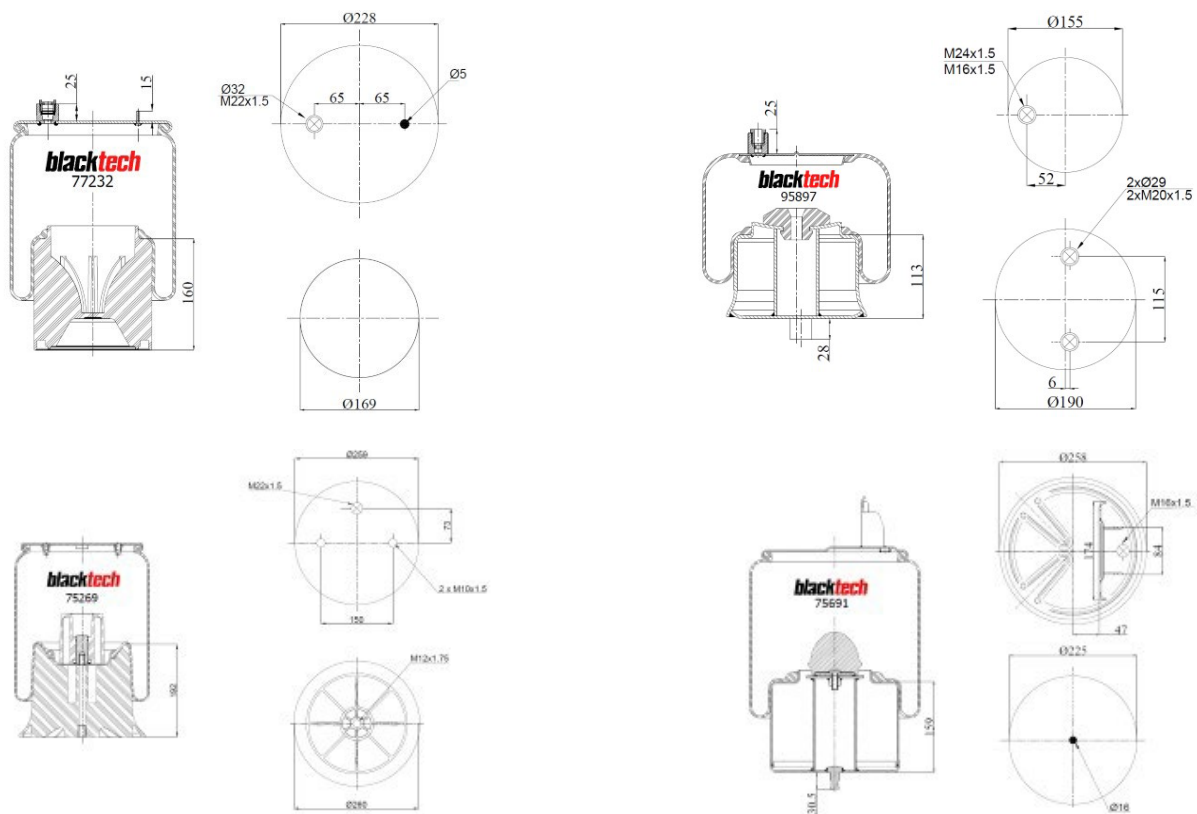
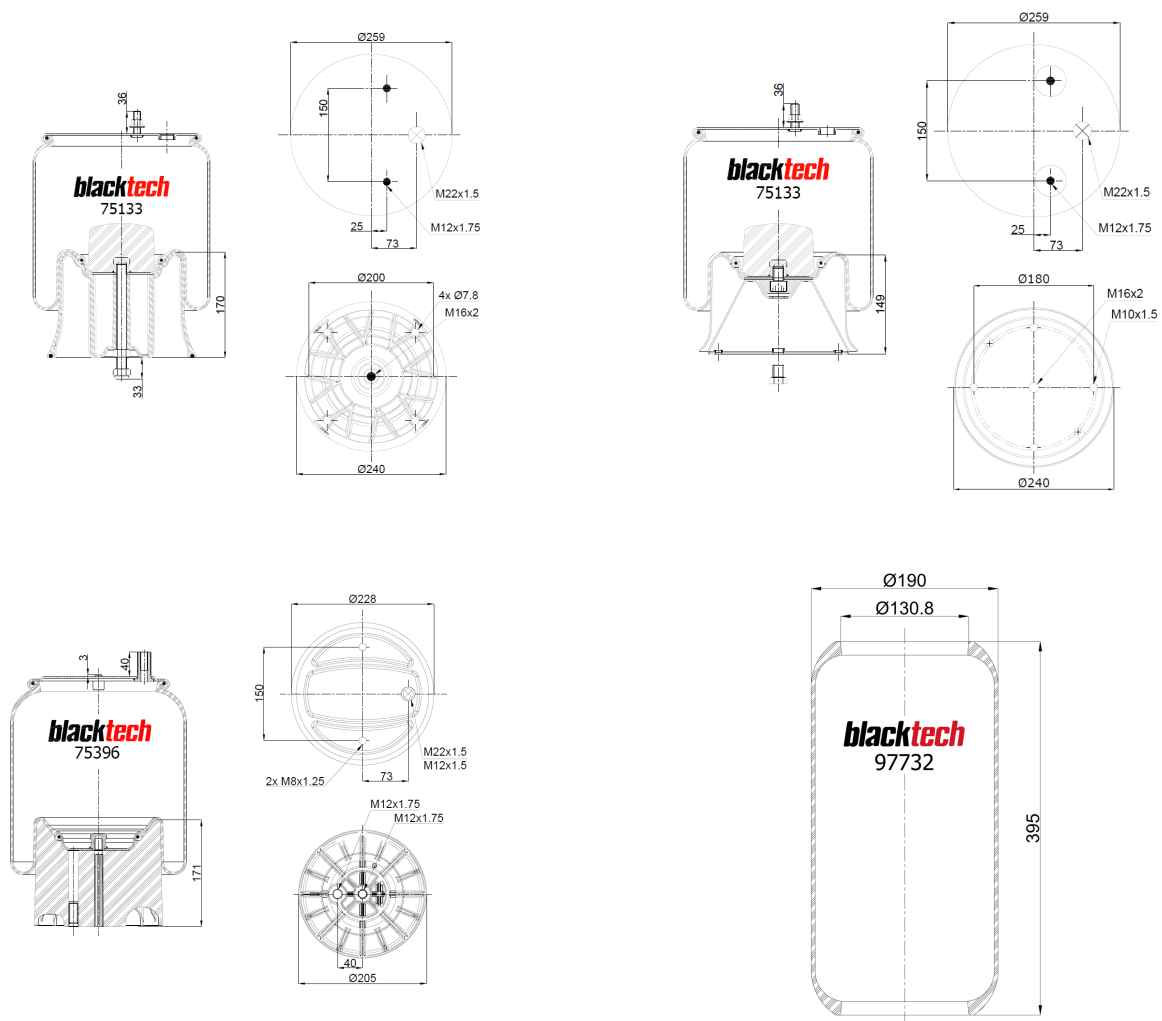


New Parts for Strong Quality

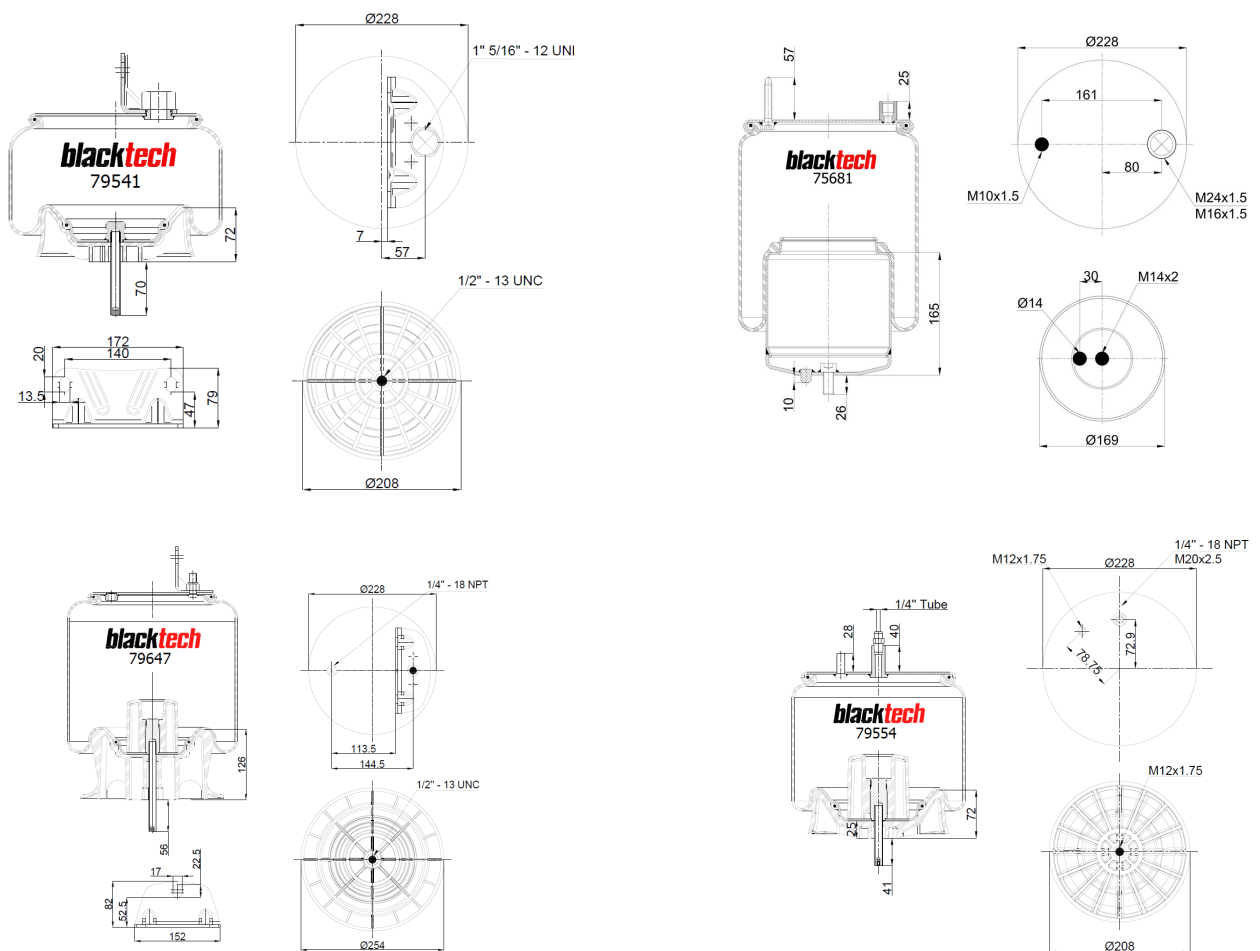
blacktech Number	OEM Part Number	Cross References	Application
RML 77232 CP	Mercedes A960 320 1257	Contitech 6121 N P44	Truck
RML 95897 C21	Mercedes A946 320 0421	Contitech 4786 N P21	Truck
RML 78124 CP	Scania 2517987	Firestone W01 M58 8124	Truck
RML 75691 C2	Volvo 21 451 173	Contitech 4580 N P02	Truck



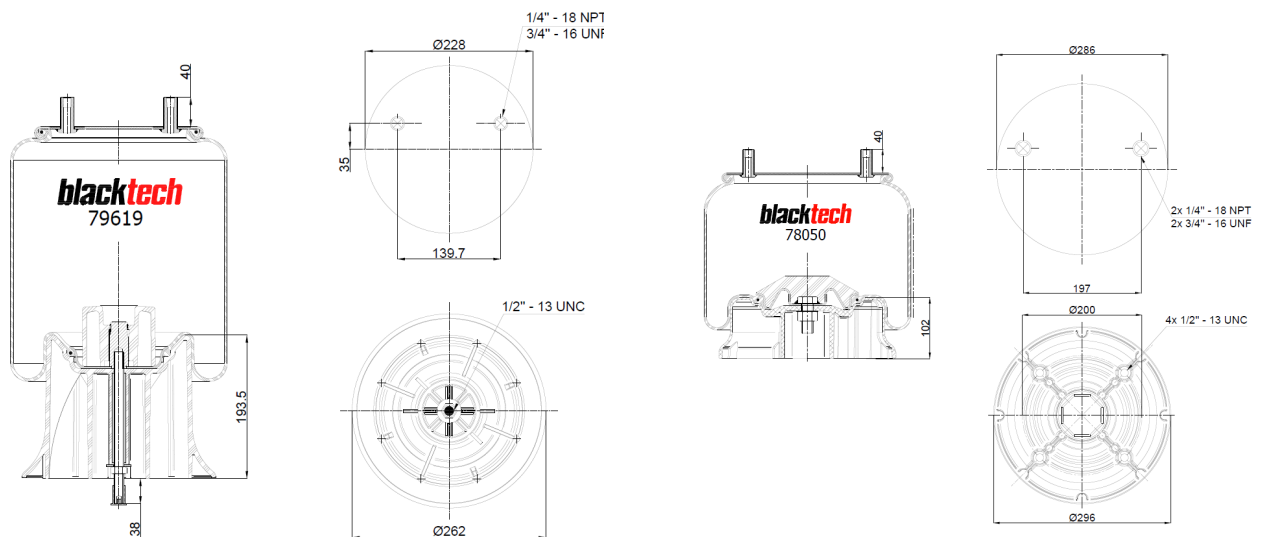
blacktech Number	OEM Part Number	Cross References	Application
RML 75133 CP6	SAF 3.228.1038.00	-	Truck
RML 75133 C	SAF 3.228.1053.00	-	Truck
RML 75396 CP	SCB 127 0603	Phoenix 1 DK 23 L-2	Trailer
RL 97732	Volvo 23 903 564	Contitech 6621 N	Bus



blacktech Number	OEM Part Number	Cross References	Application
RML 79541 CP	Kenworth C81-1005	Firestone W01-358-9541	Truck
RML 75681 C1	Volvo 21 224 749	Contitech 4570 N P01	Truck
RML 79647 CP	Hendrickson 58786-2	Firestone W01-358-9647	Truck
RML 79554 CP	Hendrickson 60716-2	Firestone W01-358-9554	Truck



blacktech Number	OEM Part Number	Cross References	Application
RML 79619 CP	Hendrickson S-23614	Firestone W01-358-9619	Trailer
RML 78050 CA	SAF 57008050	Firestone W01-358-8050	Trailer



The above mentioned blacktech reference is available in the Independent Aftermarket: Our broad product portfolio offers more than 1,200 blacktech Air Springs to choose from, covering more than 80 % of all major vehicle applications. **blacktech Air Springs – Designed Strong and Durable.**